



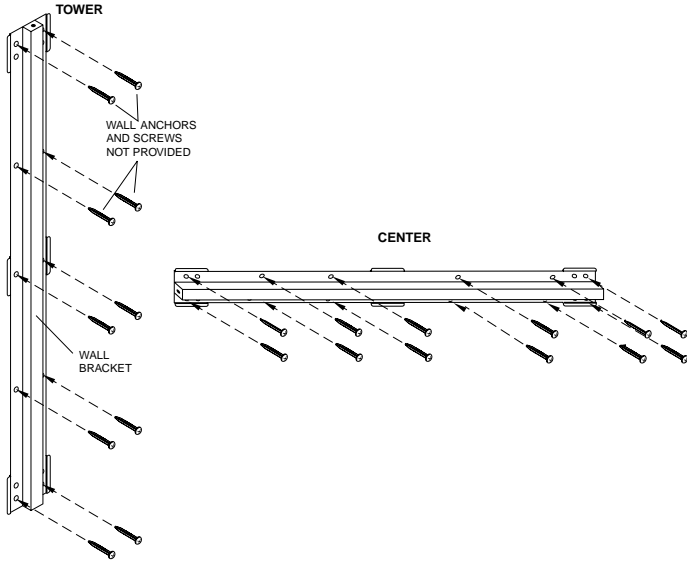
PRELUDE™ MTS WALL BRACKETS

Installation Guide

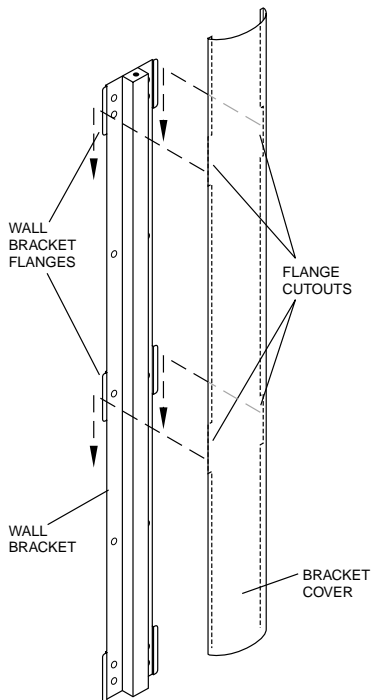
- **Prelude MTS-WB**
Wall Brackets for use with Prelude MTS Tower
- **Prelude MTS-WBC**
Wall Brackets for use with Prelude MTS Center

Wall-Mounting the Speaker Using the Wall Brackets

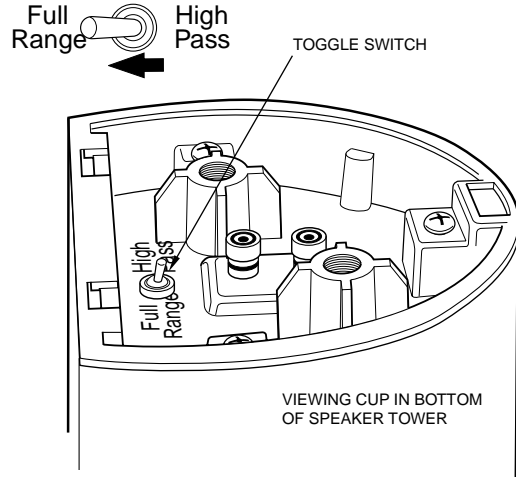
The customer is responsible for proper selection and use of mounting hardware and for correctly and safely wall-mounting the speakers.



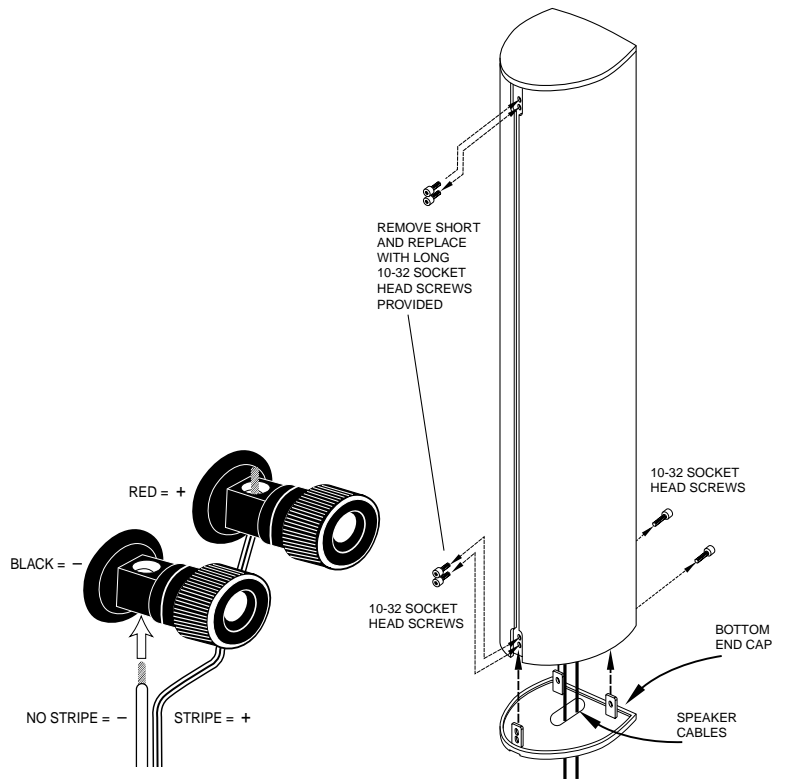
STEP 1 – When mounting each bracket to the wall, try and position it so that you anchor it to wall studs. Be sure to anchor the bracket firmly to the wall to sufficiently hold the speaker. Use screw positions as shown in Step 1.



STEP 2 – Align Flange Cutouts in Bracket Cover flange with Wall Bracket flanges and slide Bracket Cover onto Wall Bracket. Now slide Bracket Cover so that it centers on the Wall Bracket. This should be a tight fit.

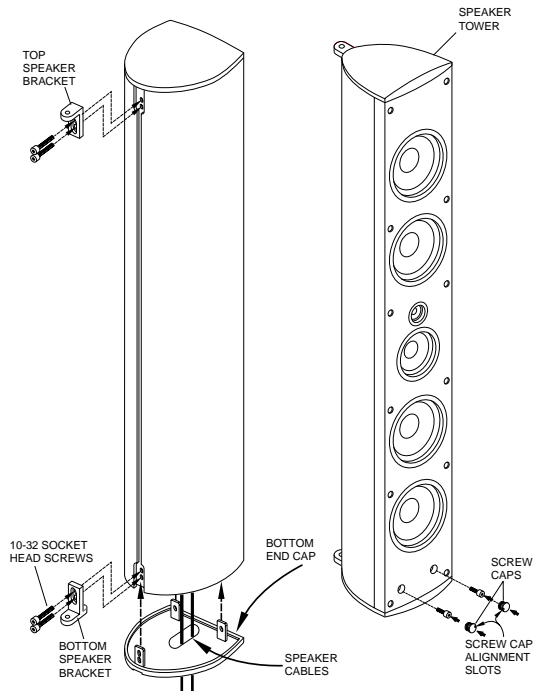


STEP 3 – Tower Only: When using the tower as a surround speaker, set Toggle Switch in tower cup to “Full Range.” When using as a front channel, set Toggle Switch in tower cup in bottom to the “Full Range” position. Please consult the Prelude MTS Subwoofer manual for exceptions to this setting.

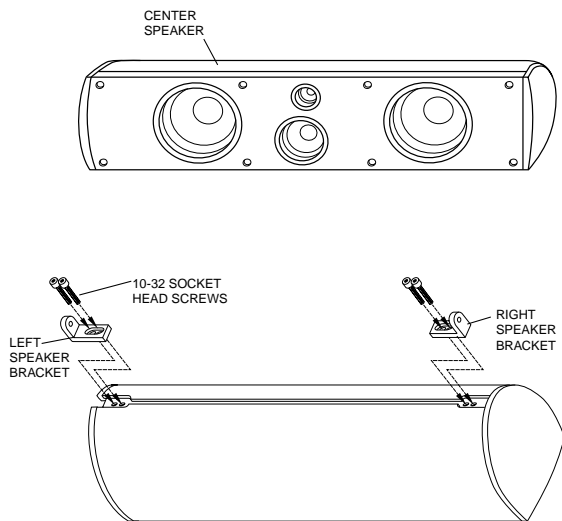


STEP 4 – Tower: Remove (2) existing screws in top and (4) in bottom of Speaker Tower as shown. Feed your speaker cables through the slot in the Bottom End Cap as shown and connect to the terminals. Place the Bottom End Cap on the Speaker Tower bottom.

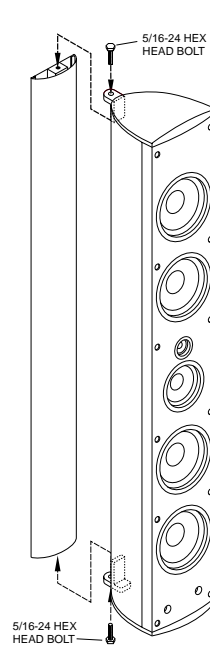
Center: Attach speaker wire to terminals as described in the center-channel Owner’s Guide.



STEP 5 – Tower: Place Top and Bottom Speaker Brackets in back slots of Speaker Tower top and bottom. Insert (2) longer 10-32 Socket Head Screws provided in each and tighten. Replace the (2) screws taken out of the front baffle. Press flush into place 2 screw caps to hide holes in front-baffle base. Make sure that the alignment slots point toward the center to ensure that the surface curve matches that of the baffle.



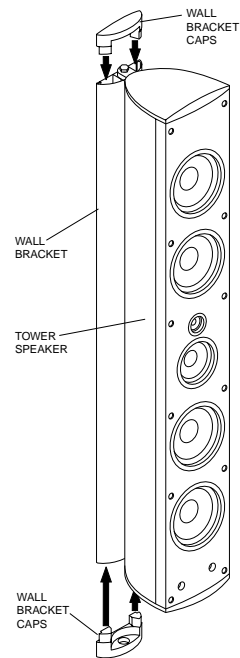
Center: Place left and right Speaker Brackets in back slots of Speaker. Insert (2) longer 10-32 Socket Head Screws provided in each and tighten.



STEP 6 – Tower: To mount Speaker Tower assembly to Wall Bracket assembly, lift the Speaker Tower assembly, with the help of another person, onto the Wall Bracket assembly. Have one person continue to hold the Speaker Tower assembly on the Wall Bracket assembly while the other inserts and tightens one of the (2) provided 5/16-24 Hex Head Bolts into the top. **Make sure you insert and finger-tighten the top one first to keep the Speaker Tower assembly from slipping off the Wall Bracket.** After the top bolt is tightened, insert and tighten the other 5/16-24 Hex Head Bolt in the bottom.

Center: To mount Speaker to Wall Bracket assembly, lift the Speaker, with the help of another person, onto the Wall Bracket assembly. Have one person continue to hold the Speaker on the Wall Bracket assembly while the other inserts and tightens one of the (2) provided 5/16-24 Hex Head Bolts into one side. After the first bolt is tightened, insert and tighten the other 5/16-24 Hex Head Bolt.

STEP 7 – Note: If you wish to angle the speaker into a permanent position, you will need to do so and tighten the 5/16-24 Hex Head Bolts before you attach the Wall Bracket Caps. Tighten both bolts securely and attach the Wall Bracket Caps to the top and bottom of the Wall Bracket. These will snap securely into place.





A Harman International Company © 1999 Infinity Systems, Inc., 250 Crossways Park Drive, Woodbury, NY 11797 USA (800) 553-3332 (USA Only) www.infinitysystems.com
Infinity is a registered trademark of Infinity Systems, Inc. Printed in USA 11/99 Part No. PREMTSWB